

## SPRAY CHARACTERISTICS

- Uniform distribution of droplets in a wide angle solid cone spray pattern.
- Droplet size is larger than in hollow cone nozzles of equal capacity.
- Impact of spray is generally lower than narrower spray angles, assuming the same flow rate. Pressure increases affect spray angle.

## CONSTRUCTION AND MATERIALS

- One piece body with pressed in cross-milled core which is removable.
- Core imparts the necessary swirl to produce a solid cone spray pattern.
- Hexagon body for easy installation, eliminates distortion of orifice during installation.
- Brass and Stainless Steel are standard.
- Other materials available to special order.



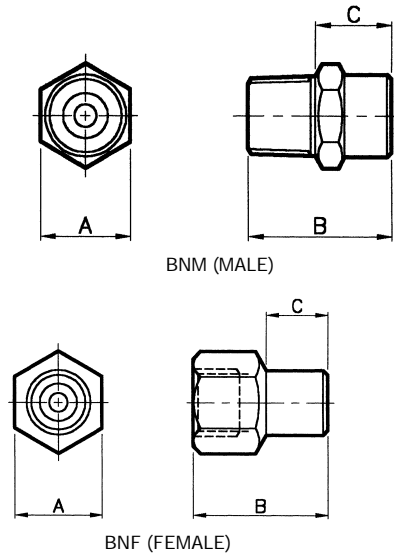
## ORDER EXAMPLE

$\frac{3}{8}$ " BNM (Male) 22 Brass.

$\frac{1}{2}$ " BNF (Female) 59 Stainless Steel.

### DIMENSIONS AND WEIGHTS

Thread Size	Nozzle Type	Dimensions (mm)			Weight (g)
		A Hex	B	C	
1/8"	BNM	11,3	17,5	9,6	10
1/8"	BNF	15,3	25,4	13,5	21
1/4"	BNM	15,3	24,5	13,0	24
1/4"	BNF	18,0	27,8	12,7	35
3/8"	BNM	18,0	25,5	14,0	35
3/8"	BNF	20,8	38,9	21,1	58
1/2"	BNM	25,6	32,0	16,1	75
1/2"	BNF	25,6	50,0	28,3	118
3/4"	BNM	28,0	36,0	19,0	115
3/4"	BNF	31,8	62,7	31,5	215
1"	BNM	38,0	50,0	28,5	290
1"	BNF	38,0	81,0	51,0	330



BNM (MALE)

BNF (FEMALE)

Maximum Recommended Pressure:  
35 Bar.G. (Metal), 7 Bar.G. (Plastic).

## CAPACITY CHART

NOZZLE NUMBER		BSPT THREAD SIZE						FLOW RATE IN LITRES/MIN AT Bar.G.										SPRAY ANGLES (°) AT Bar.G.		
Female	Male	1/8	1/4	3/8	1/2	3/4	1	,35	,7	1	1,5	2	3	4	6	7	8	,7	2	6
BNF 6	BNM 6							0,88	1,25	1,50	1,88	2,18	2,65	2,87	3,41	3,54	3,76	110	100	90
BNF 8	BNM 8							1,30	1,86	2,28	2,84	3,23	4,00	4,55	5,38	5,72	5,97	125	120	100
BNF 11	BNM 11							1,86	2,79	3,23	3,86	4,31	5,15	5,45	6,73	7,43	7,70	115	120	95
BNF 15	BNM 15							2,60	3,67	4,50	5,26	5,59	6,64	7,24	8,70	9,16	9,70	115	110	90
BNF 18	BNM 18							3,10	4,40	5,39	6,30	6,70	7,96	8,68	10,43	10,98	11,63	120	120	95
BNF 22	BNM 22							3,95	5,58	6,84	8,0	8,50	10,10	11,01	13,23	13,94	14,75	113	110	90
BNF 25	BNM 25							4,27	6,04	7,24	8,43	9,32	11,01	12,32	14,65	15,76	16,26	120	120	100
BNF 32	BNM 32							5,90	7,70	9,15	10,80	11,92	14,30	15,78	18,90	19,90	21,26	115	110	85
BNF 39	BNM 39							7,20	9,40	11,15	13,14	14,52	17,40	19,20	23,00	24,25	25,90	120	120	90
BNF 46	BNM 46							8,13	11,62	13,64	15,86	17,27	19,29	22,32	25,45	27,88	29,39	125	112	90
BNF 48	BNM 48							8,33	12,52	15,25	16,87	18,18	23,13	24,54	29,80	32,52	34,34	125	120	90
BNF 59	BNM 59							9,29	13,23	15,96	19,29	22,32	26,06	28,18	34,64	37,67	40,70	130	128	100
BNF 65	BNM 65							12,00	15,65	18,60	21,92	24,21	29,00	32,05	38,37	40,40	43,20	115	110	85
BNF 73	BNM 73							13,50	17,60	20,88	24,50	27,19	32,60	36,00	43,10	45,40	48,50	115	120	90
BNF 82	BNM 82							15,35	20,0	23,74	27,98	30,91	37,07	40,91	48,99	51,61	55,15	115	112	90
BNF 94	BNM 94							16,77	22,32	26,87	32,72	35,45	41,92	45,96	56,26	59,89	63,33	119	120	91
BNF 98	BNM 98							18,08	23,23	27,78	34,24	37,27	44,34	50,00	59,59	64,54	67,87	112	120	90
BNF 136	BNM 136							24,14	35,25	42,32	48,18	51,41	60,20	67,77	81,20	86,86	91,41	118	115	75
BNF 153	BNM 153							27,88	38,08	46,97	53,93	57,97	67,47	76,36	91,30	98,07	108,07	125	120	85
BNF 200	BNM 200							29,69	42,32	51,41	62,62	75,95	88,68	99,59	120,19	130,29	139,38	118	125	90

SOLID CONE SPRAY

TYPE BN

Contact our Helpline for any special requirements:  
Tel: +44 (0) 151 424 6821  
Fax: +44 (0) 151 495 1043  
e-mail: sales@delavan.co.uk  
Web: www.delavan.co.uk

