



SPRAY CHARACTERISTICS

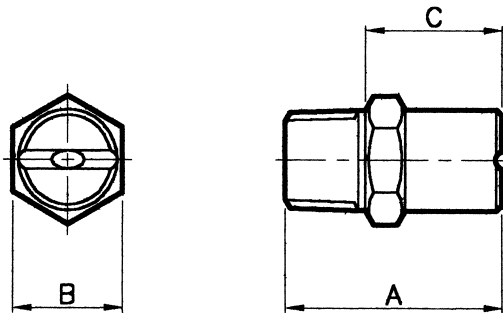
- Uniform distribution of hard hitting flat spray with a minimum of atomization.
- No soft edges - no need for overlapping.
- Minimum flow deviation at varying pressures.
- Available only in 30° spray angle measured @ 10 Bar.G.

CONSTRUCTION AND MATERIALS

- One piece construction with no internal shoulders or ledges causing unwanted liquid turbulence.
- Available as a Male BSPT pipe thread design only.
- Hexagon body with wrench flats avoid distortion when tightening.
- Circular shaped orifice reduces wear, no feather edges.
- Nozzle filter is not needed, orifice will pass small amounts of foreign matter.
- Manufactured in Stainless Steel and Hardened Stainless Steel as standard.
- Other materials available to special order.

ORDER EXAMPLE

3/8" BZ 15 Hardened Stainless Steel.



DIMENSIONS AND WEIGHTS

| Thread Size | Dimensions (mm) | | | Weight (g) |
|-------------|-----------------|-------|------|------------|
| | A | B Hex | C | |
| 1/4 | 29,9 | 15,3 | 19 | 35 |
| 3/8 | 40,0 | 18,0 | 25,4 | 65 |
| 1/2 | 46,1 | 25,7 | 31,9 | 120 |

Maximum Recommended Pressure: 200 Bar.G.

CAPACITY CHART

| NOZZLE NUMBER | EQUIV ORIFICE DIA. (mm) | BSPT THREAD SIZE | | | FLOW RATE IN LITRES/MIN AT Bar.G. | | | | | | | | | | | |
|---------------|-------------------------|------------------|-----|-----|-----------------------------------|-------|-------|-------|-------|--------|--------|--------|--------|--------|--------|--------|
| | | 1/4 | 3/8 | 1/2 | 20 | 25 | 30 | 35 | 40 | 50 | 60 | 70 | 80 | 90 | 100 | 110 |
| BZ 5 | 1,2 | | | | 2,97 | 3,30 | 3,61 | 3,88 | 4,16 | 4,69 | 5,14 | 5,50 | 5,88 | 6,24 | 6,57 | 6,93 |
| BZ 8 | 1,45 | | | | 5,14 | 5,74 | 6,24 | 6,75 | 7,21 | 8,08 | 8,81 | 8,54 | 10,20 | 10,81 | 11,31 | 11,92 |
| BZ 13 | 1,85 | | | | 8,12 | 9,04 | 9,87 | 10,61 | 11,41 | 12,83 | 14,04 | 15,15 | 16,16 | 17,17 | 18,08 | 18,99 |
| BZ 15 | 2,0 | | | | 9,74 | 10,91 | 11,82 | 12,73 | 13,64 | 15,25 | 16,67 | 18,08 | 19,29 | 20,40 | 21,61 | 22,62 |
| BZ 20 | 2,3 | | | | 12,93 | 14,44 | 15,76 | 16,97 | 18,18 | 20,30 | 22,32 | 24,04 | 25,76 | 27,17 | 28,79 | 30,20 |
| BZ 25 | 2,5 | | | | 16,36 | 18,28 | 19,90 | 21,41 | 22,93 | 25,65 | 27,98 | 30,30 | 32,32 | 34,24 | 36,26 | 38,08 |
| BZ 36 | 3,0 | | | | 23,63 | 26,36 | 28,68 | 30,91 | 33,03 | 37,07 | 40,40 | 43,83 | 46,86 | 49,09 | 52,32 | 54,64 |
| BZ 38 | 3,1 | | | | 24,85 | 26,97 | 30,50 | 33,03 | 35,25 | 40,00 | 43,63 | 47,27 | 50,50 | 53,73 | 56,46 | 59,69 |
| BZ 51 | 3,7 | | | | 34,54 | 38,58 | 42,22 | 45,35 | 48,68 | 54,24 | 59,19 | 64,24 | 68,38 | 72,52 | 76,66 | 80,30 |
| BZ 54 | 3,75 | | | | 35,05 | 39,09 | 42,72 | 45,96 | 49,09 | 55,05 | 60,60 | 65,25 | 69,79 | 73,93 | 77,57 | 81,71 |
| BZ 78 | 4,4 | | | | 51,41 | 56,96 | 62,42 | 67,47 | 72,11 | 80,80 | 89,03 | 96,35 | 103,02 | 109,08 | 115,14 | 120,19 |
| BZ 106 | 5,0 | | | | 69,29 | 77,16 | 84,44 | 91,30 | 97,77 | 109,08 | 120,19 | 129,28 | 138,37 | 146,45 | 154,53 | 162,61 |

Contact our Helpline for any special requirements:
Tel: +44 (0) 151 424 6821
Fax: +44 (0) 151 495 1043
e-mail:sales@delavan.co.uk
Web:www.delavan.co.uk

